



DB2-ETH-GTW

## Gateway Modbus Ethernet – ZigBee



### Key Features

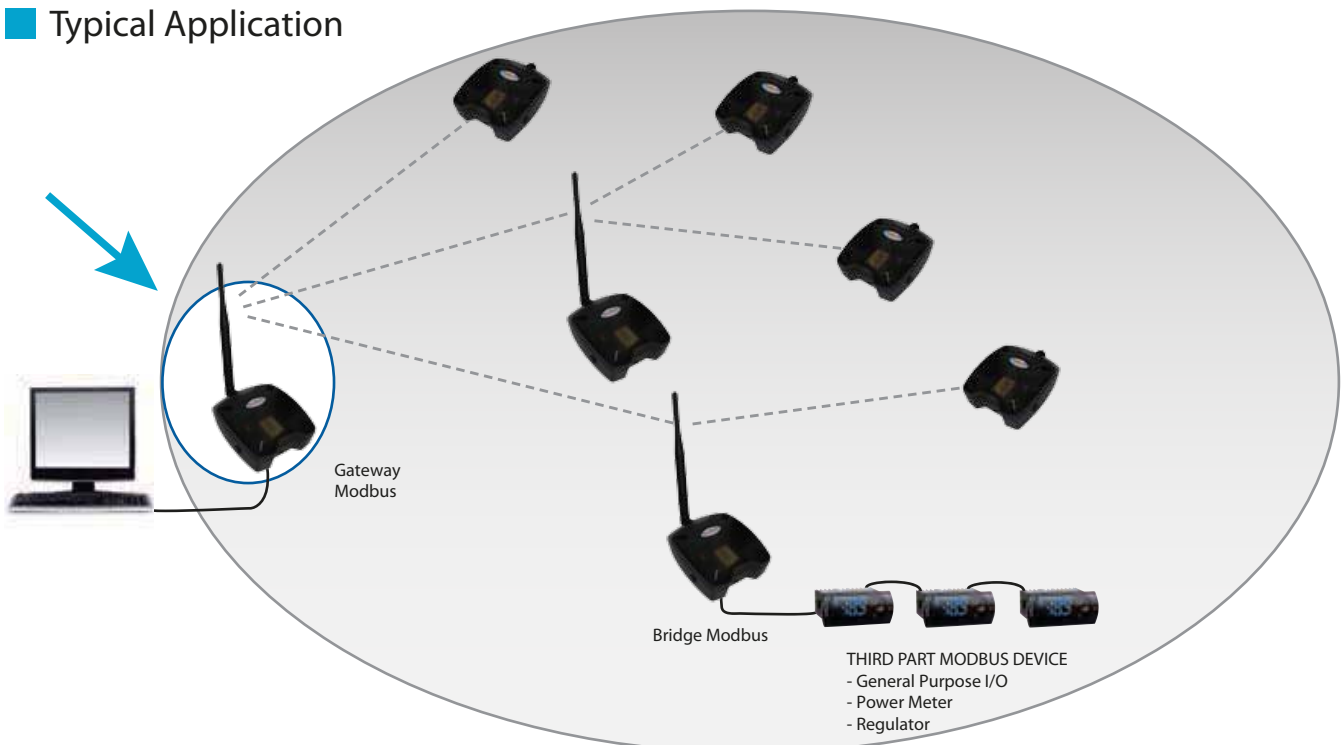
- Ethernet interface between a ZigBee network and the external environment
- Using the Modbus/TCP-IP protocol
- Coordinator function for a ZigBee network
- Local memory stores battery powered sensors data
- Transparent bridge towards other Modbus devices
- External antenna
- Power over ethernet (POE) version

Gateway Modbus Ethernet is part of the family of Digitron wireless ZigBee devices. Its purpose is to be an interface between a Personal Computer or an advanced PLC with the network of Digitron devices using an universal standard protocol such as Modbus/TCP-IP and through Ethernet network.

The use of an Ethernet network allows to position the Personal Computer or the PLC in places that are far from the ZigBee network or in very remote places if an internet connection is available.

Its role in the ZigBee network is Coordinator, i.e. it forms an active part of creating the network and maintaining wireless traffic from and to other similar devices. Furthermore it can function as parent device for battery powered sensors of the same family and saves data that they asynchronously send regardless of Modbus requests.

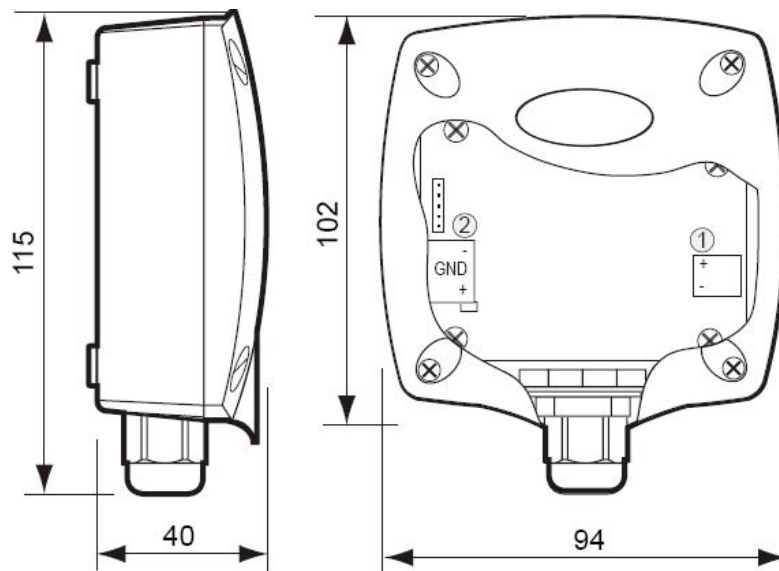
### Typical Application



## Technical Specs

General characteristics	Chip Ember EM2420 Compatible IEEE 802.15.4 Stack EmberZnet 3.4.x (ZigBee PRO) Modbus/RTU DIGI Connect ME model for Ethernet interface Addressing via WEB or DHCP interfaces
RF characteristics	Frequency: 2405 MHz ÷ 2480 MHz Modulation: DSSS Nominal transmission power: 1mW (0 dBm) Reception sensitivity: -92 dBm Extern antenna Gain: 5,5 dB Coverage outdoor/indoor: 100m/30m
Supply	ZC-GW-ETH-EM: extern supply +12 Vcc ; 200mA ZC-GW-ETH-EPM: POE – 48Vcc
Connections	Ethernet: RJ45
Environment parameters	Operating temperature: -10 ÷ +60°C; <80% U.R. not condensing Storage temperature: -20 ÷ +70°C; <80% U.R. not condensing Degree of protection: IP 50
Compliant with 2006/95/EEC, 89/336/EEC, 99/5/EEC directives Reference Norms:	ETSI EN 300 328: Radio Compatibility for digitals wide band transmissions ETSI EN 301 489: Radio Compatibility EN 61000-6-2: Electromagnetic Compatibility - Emissions EN 61000-6-3: Electromagnetic Compatibility - Immunity EN 60950-1: Electric Safety

## Dimensions (mm)



Rev 2.4 30/09/2009

**Digitron**

